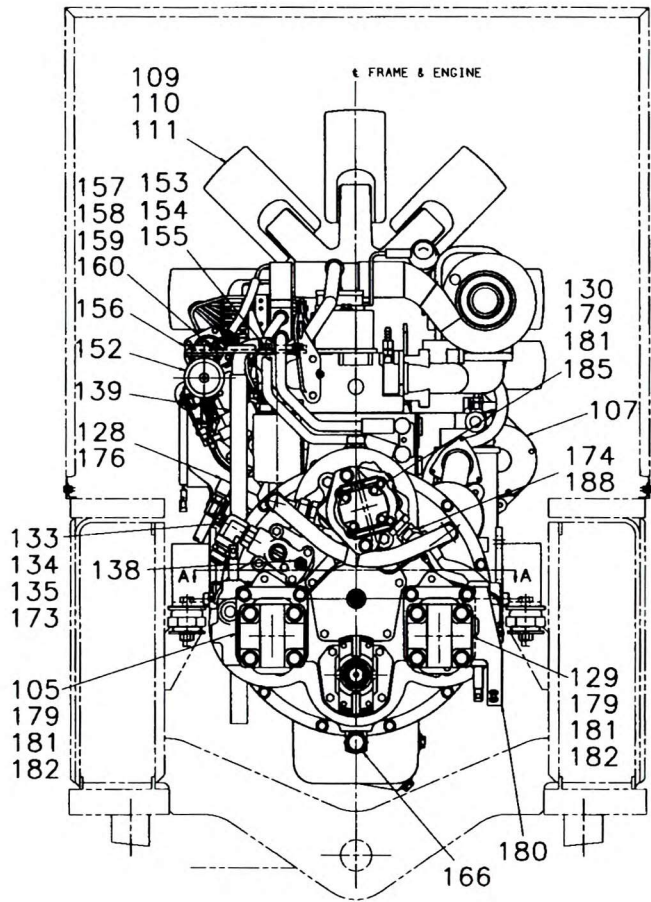
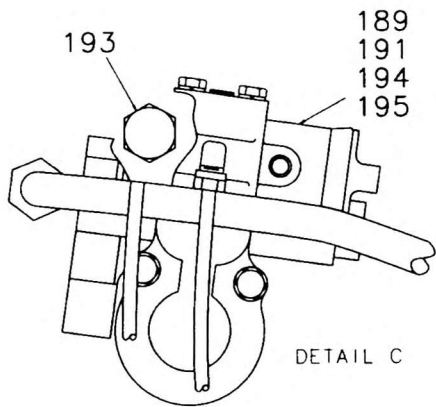
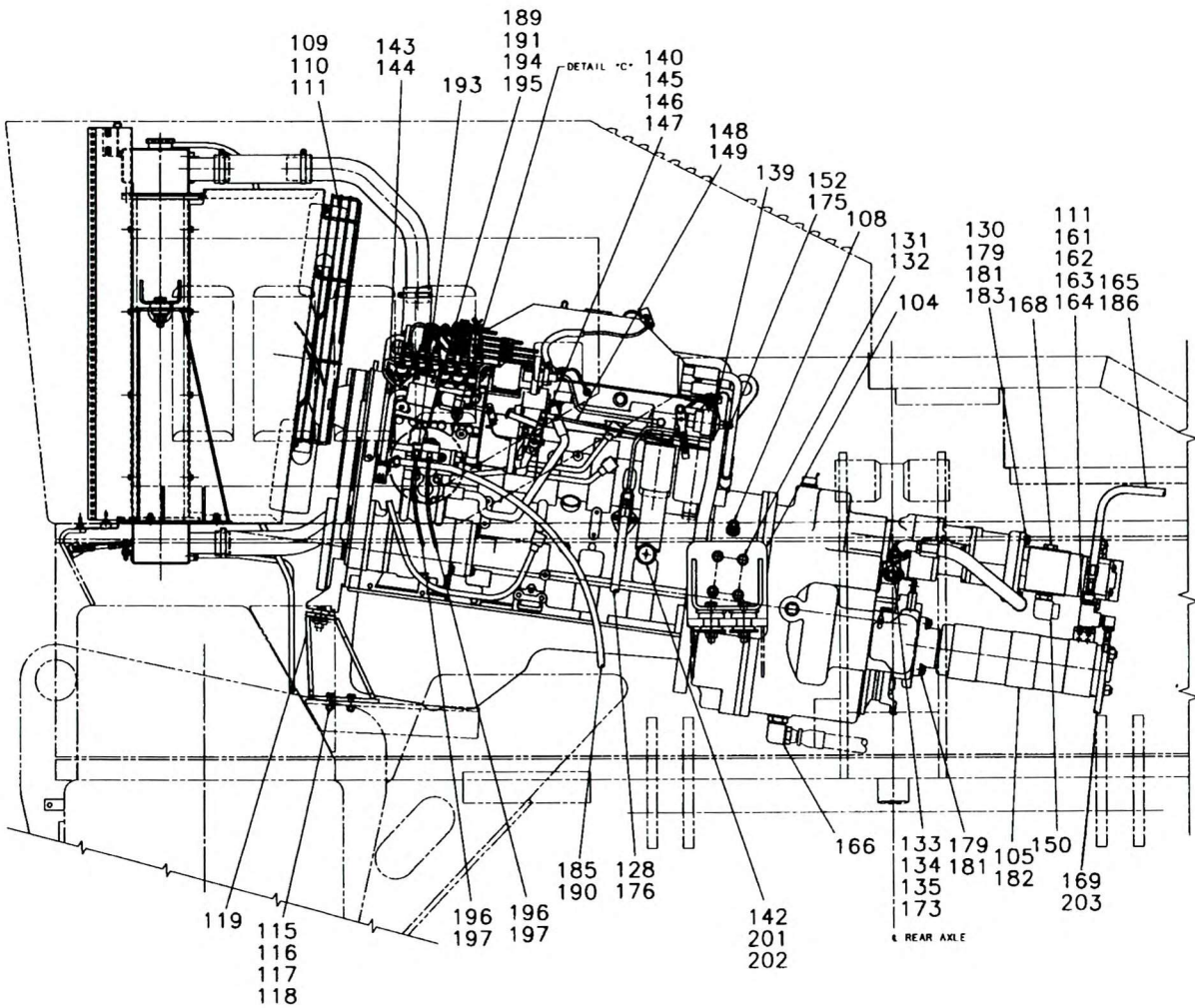
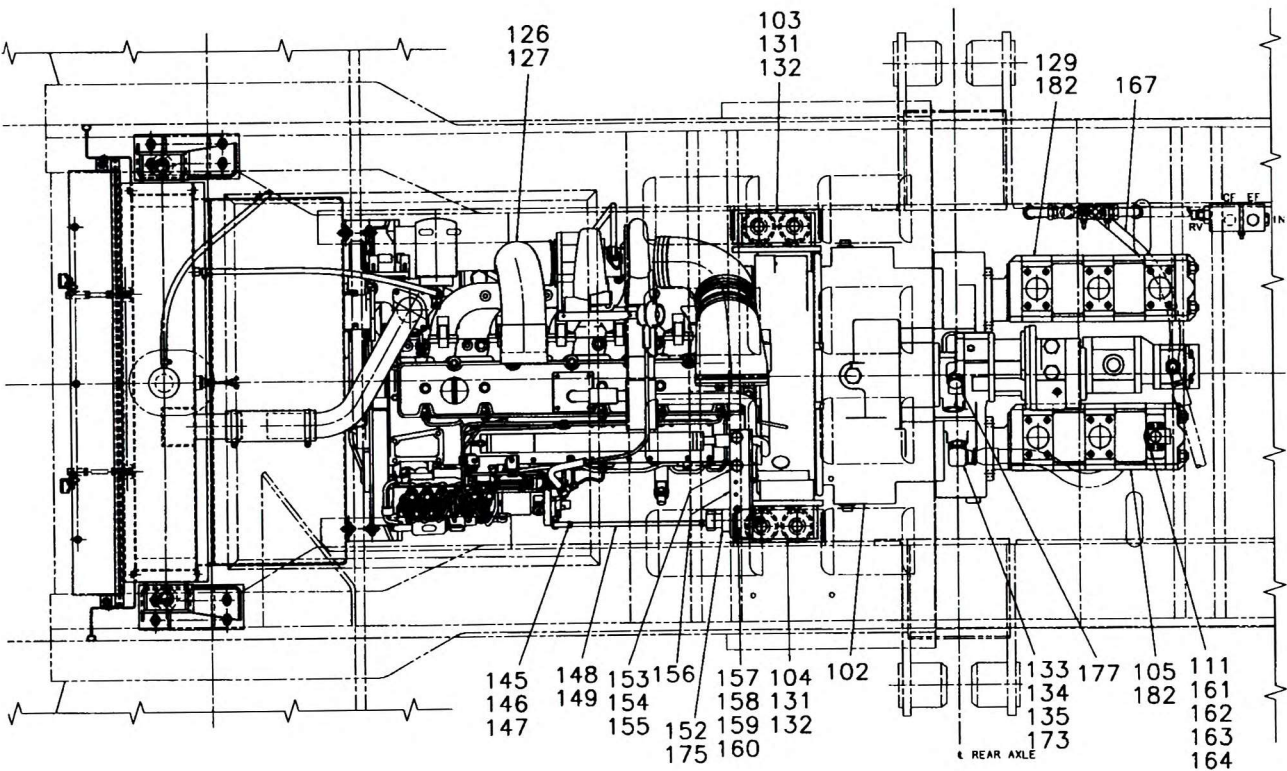


VIEW A-A







(SHEET 2 OF 4)

Page 593

2192800705



